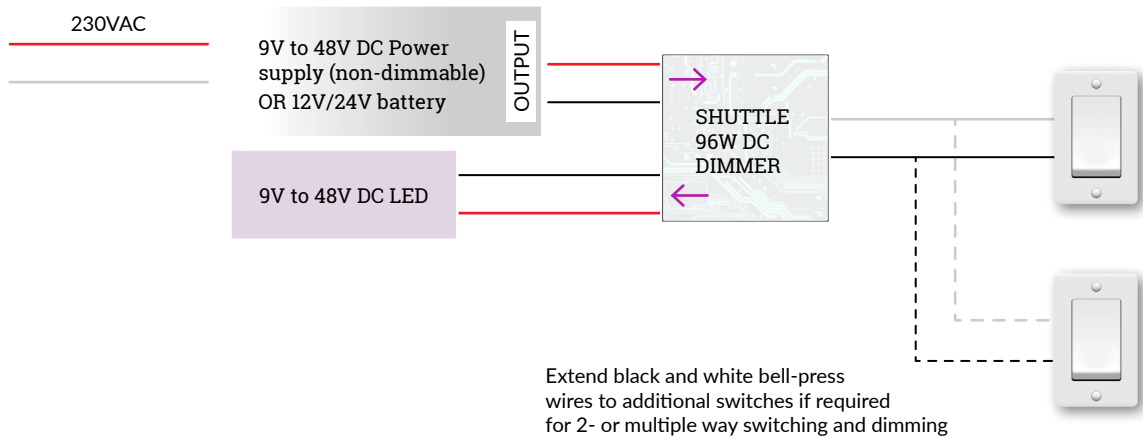
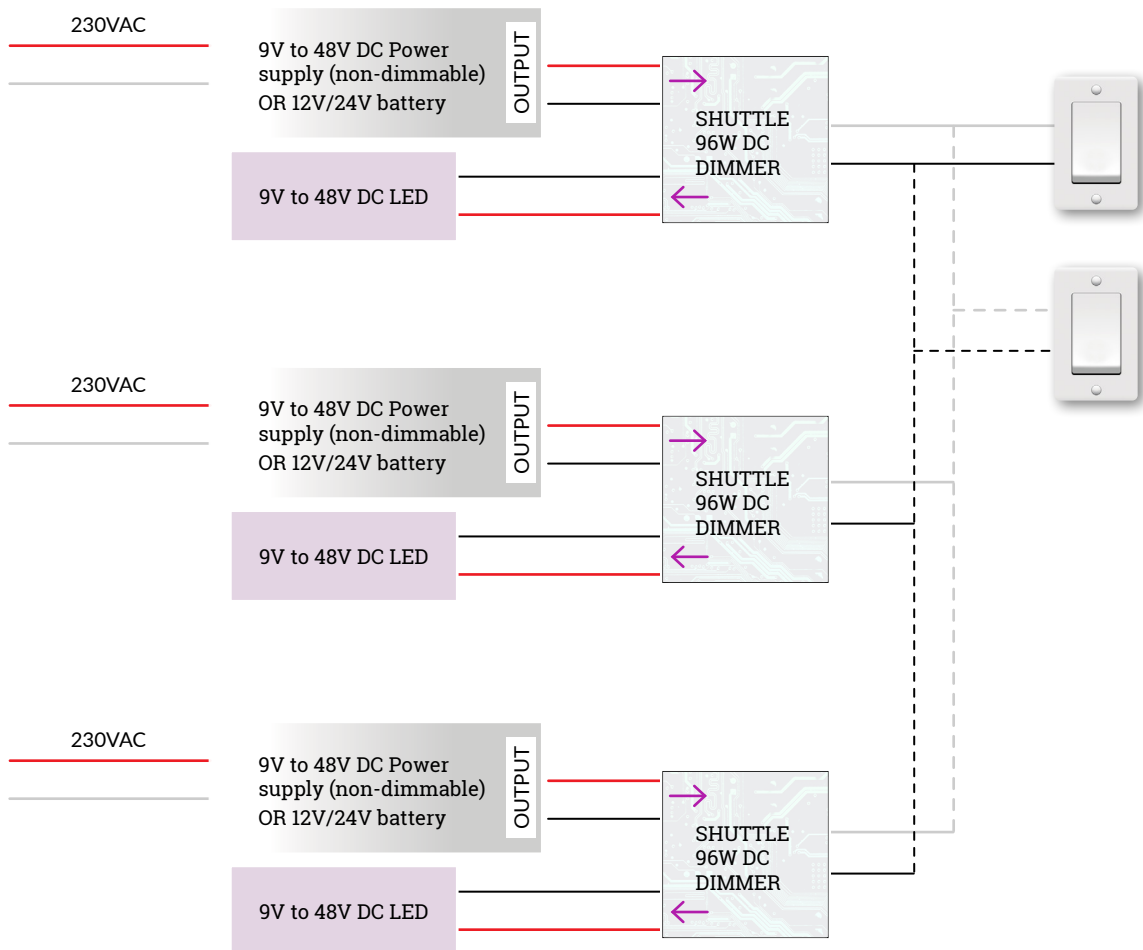


### Single dimmer installation



### Multiple dimmer installation (master/slave operation)

Double click switch to synchronise dimmers and activate master/slave operation



### 90W low voltage installation (master/slave operation)

Double click switch to synchronise dimmers and activate master/slave operation

Power supply inputs of dimmers may be connected together but LED outputs of dimmers, must never be connected together

